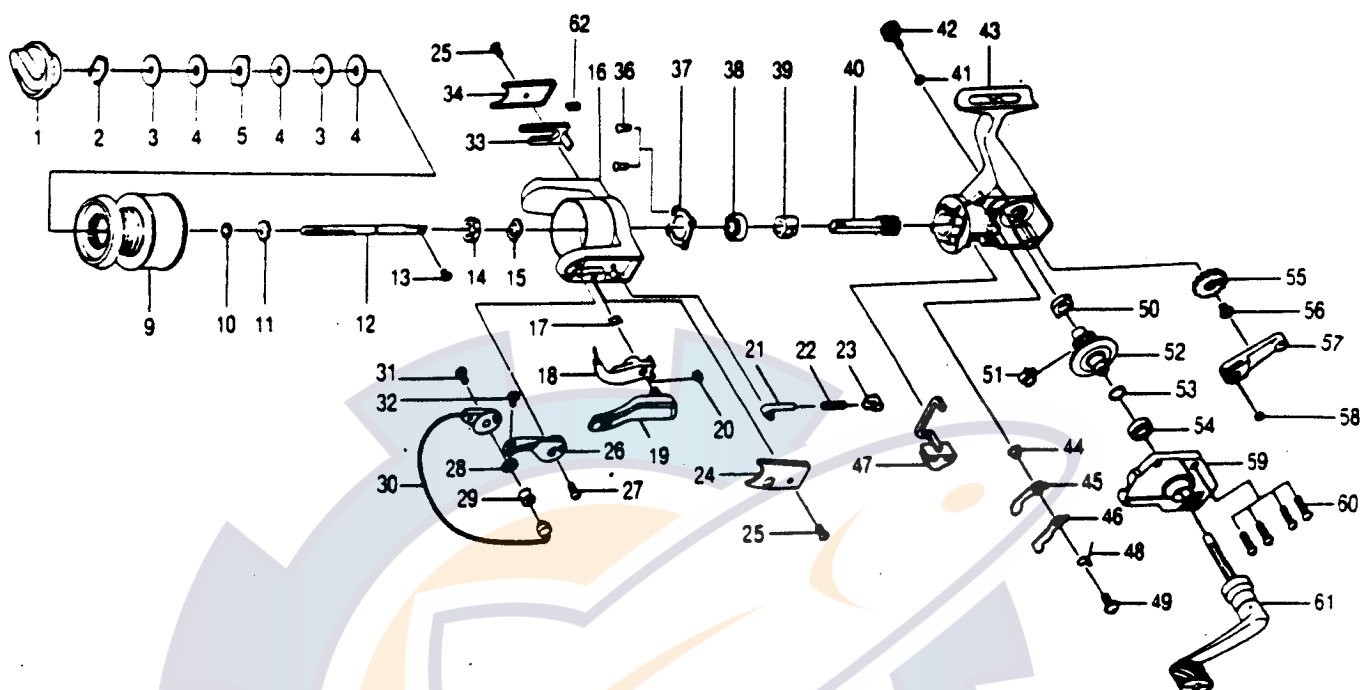


QUANTUM[®] SL4



KEY PART NO. NO.	DESCRIPTION	PRICE
1 CQ332	DRAG KNOB ASBY.	2.09
2 CQ038	DRAG RETAINER	1.09
3 CQ050	SPOOL WASHER 'C'	.62
4 CQ033	SPOOL WASHER 'A'	.62
5 CQ029	SPOOL WASHER 'B'	.62
9 CQ321	SPOOL ASBY.	7.99
10 CQ030	SPOOL ADJ. WASHER	.55
11 CQ037	SPOOL CLICK CLAW	1.15
12 CQ019	MAIN SHAFT	3.10
13 CQ100	MAIN SHAFT SCREW	.75
14 UL006	ROTOR NUT	1.03
15 UL065	ROTOR RETAINER WASHER	.67
16 CQ009	ROTOR	3.68
17 NL096	TRIP LINE SPRING	.67
18 FL097	TRIP LINK	1.20
19 CQ115	TRIP LEVER	2.28
20 NL034	E-CLIP	.67
21 QL031	SPRING SHAFT	.62
22 QL022	BAIL SPRING	.62
23 QL020	SPRING HOLDER	.52
24 CQ087	BAIL SPRING COVER	.62
25 AQ085	ROTOR COVER SCREW	.67
26 CQ007	ARM LEVER	1.25
27 AQ051	ARM LEVER SCREW	.62
28 FL017	BAIL COLLAR	1.20
29 FL004	LINE ROLLER	2.09
30 CQ347	BAIL ASBY.	6.50
31 AQ044	BAIL HOLDER SCREW	.62
32 AQ108	BAIL SCREW	.62
33 CQ019	KICK LEVER	1.45

KEY PART NO. NO.	DESCRIPTION	PRICE
34 CQ024	KICK LEVER COVER	.62
36 AQ080	BEARING PLATE SCREW	.62
37 QL040	BEARING PLATE	.57
38 CQ028	B/BEARING - ROTOR	7.75
39 CQ060	RATCHET GEAR	2.45
40 CQ011	PINION GEAR	6.25
41 BQ105	HANDLE CAP WASHER	.52
42 QL073	HANDLE SCREW CAP	1.35
43 CQ001	BODY	6.25
44 NL091	STOPPER BUSHING	.57
45 QL064	STOPPER 'A'	1.05
46 QL063	STOPPER 'B'	1.15
47 CQ059	STOPPER LEVER	.57
48 CQ061	STOPPER L/R SPRING	.57
49 CQ083	STOPPER SCREW	.62
50 AQ013	BODY BUSHING	.62
51 CQ086	SLIDING SPRING	.62
52 CQ012	DRIVE GEAR	2.25
53 AQ026	DRIVE GEAR ADJ. WASHER	.52
54 AL013	BODY BUSHING	.62
55 CQ083	BODY BEARING - ROTOR	1.05
56 MRO78	O/C. GEAR SCREW	1.39
57 CQ025	O/S PIVOT ARM	1.50
58 AQ056	O/S PIVOT ARM WASHER	.52
59 CQ023	BODY COVER	3.15
60 AQ057	BODY COVER SCREW	.62
61 OL318	HANDLE ASBY.	7.73
62 YR049	KICK LEVER SPRING	.97

Prices subject to change without notice. Prices do not include postage and handling.

PLEASE ORDER BY PART NUMBER

Rev. 11/90

Zebco Division Brunswick Corporation, Box 270, Tulsa, OK 74101 USA 918-636-6661

